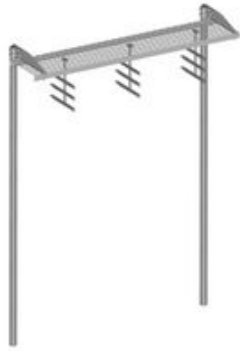


POWERED BY



## WB-K210-B

**Safety Grated Waveguide Bridge Kit, 24 in x 10 ft, with two 13 ft 4 in direct burial posts**

### Dimensions

Width	609.6 mm   24.0 in
Height	4064.0 mm   160.0 in
Length	3.0 m   10.0 ft
Weight	174.6 kg   385.0 lb

### General Specifications

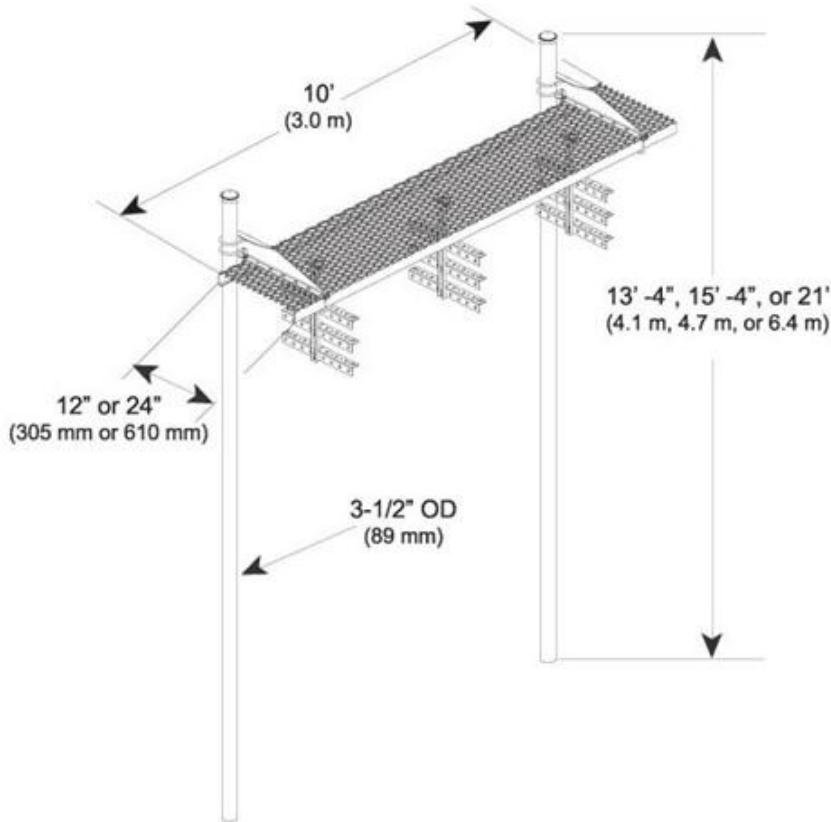
Product Type	Waveguide bridge kit
Application	Direct burial
Cable Runs, quantity	24
Includes	Caps   Channel   Hardware   Posts   Support brackets   Trapeze
Material Type	Hot dip galvanized steel
Package Quantity	1
Pipe Length	4.1 m   13.3 ft
Pipe, quantity	2

WB-K210-B

POWERED BY



## Outline Drawing



## Regulatory Compliance/Certifications

Agency	Classification
ISO 9001:2008	Designed, manufactured and/or distributed under this quality management system

## Included Products

- WB-T24-3 — Trapeze Kit, triple tee, 24 in wide, three rungs
- WB-LB24-3 — Waveguide Bridge Support Bracket, 24 in wide for 3-1/2 in OD legs
- MF-130 — Direct Burial Pipe Column, 13 ft 4 in
- WB-CY210 — Safety Grated Waveguide Bridge Channel, 24 in x 10 ft