



Medium Intensity White & Red Synchronized Obstruction Light

Medium Intensity Red Synchronized Obstruction Light



L450-864-865

White and red flashing obstruction light for reliable day and night time marking of structures that present a hazard to aviation. Incorporates the benefits of advanced LED and control technologies to meet the challenges of the most demanding applications

Key Features

Obstruction lighting

- Five year warranty
- Simple cable connection for easy installation
- Low cost of ownership
- Very low power consumption
- Stabilized intensity across full operational temperature range
- Lightweight and easy to install
- No maintenance required over service life
- Modular construction controller

Standards/Certification

Obstruction lighting

- Obstruction light complies with:
 - United States Federal Aviation Administration AC 70/7460-1K; Obstruction Marking and Lighting
 - ICAO Annex 14, volume I; International standards and recommended practices: Aerodrome design and operations, 4th Edition, July 2004, chapter 6.3
 - Various national approvals

Obstruction lighting

Performance characteristics

Obstruction lighting

- Effective intensity 20,000 cd white, 2,000 cd red
- 40 fpm white day, and 20 fpm red night flashing operating mode
- Horizontal beam coverage = 360°
- Vertical beam profile: 3° minimum
- Stabilized intensity control over operation temperature range

- Form "C" Failure contact controller

Obstruction lighting

Electrical characteristics

Obstruction lighting

- Operating voltage: 110-230 VAC nominal; 50-60 Hz
- Power consumption: (see table)
- Connection Details: Supplied with a combined power and alarm connection cable
- LED protection and diagnostic monitoring for optimum reliability
- Overvoltage protection: Class D

Obstruction lighting

Physical characteristics

Obstruction lighting

- Light Dimensions (L x W x H): 450x415x525mm / 17.7"x16.3"x20.6" nominal
- Controller Dimensions (L x W x H): 381x355x152mm / 15"x14"x6" nominal





- Light Weight: 32kg/71Lbs. Nominal
- Controller Weight: 6kg/15Lbs. nominal
- Design degree of protection: IP65
- Operating temperature range: -55°C to +55 °C/-67°F to +130°F

Obstruction lighting

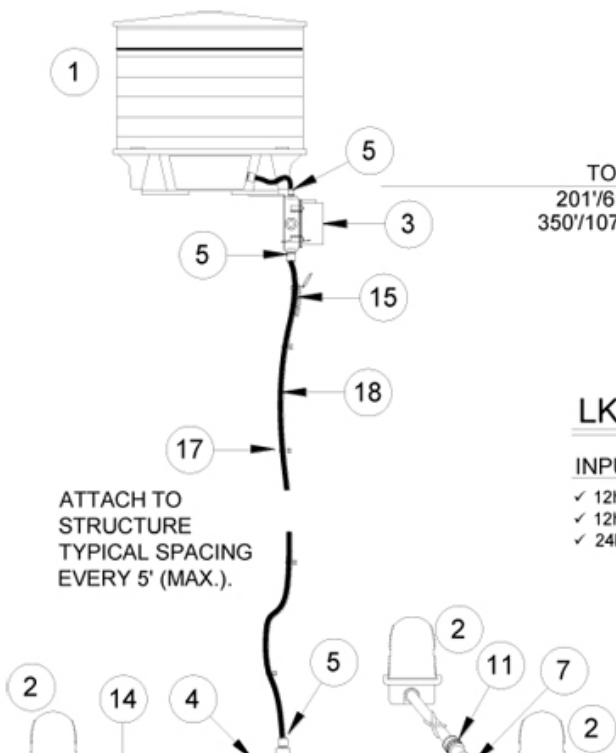
System design, control and monitoring

Obstruction lighting

- Proprietary optical design
- Individual LED protection and monitoring
- Automatic shutdown feature if 25% LEDs are not operating
- Use as a stand alone light or as part of a system
- Integral junction box
- Level indicators for correct mounting

Product	Additional information				comment
Type	flashes per minute		power consumption (W) @ 20° C		
	Day	Night	Day	Night	
L450-864-865	40	20	<80	<25	FAA Type L864/L865

Obstruction lighting

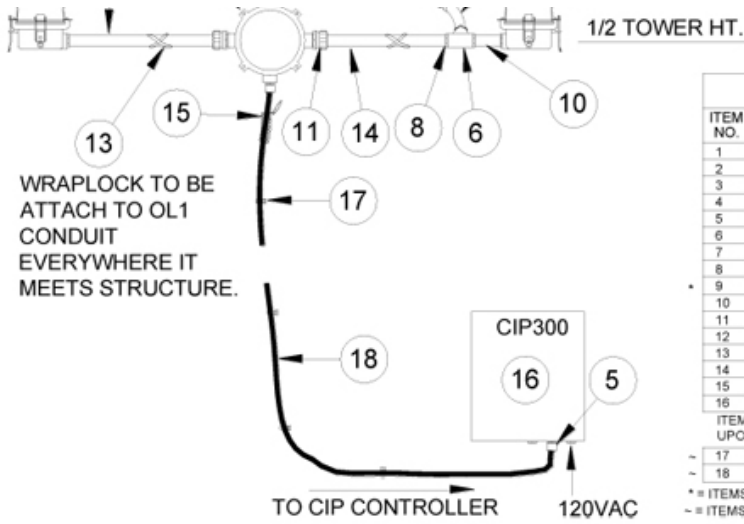


TOWER HT.
201'61M (MIN.)
350'107M (MAX.)

LK1E1L450 DUAL LED LIGHTING KIT

INPUT 120VAC 50/60Hz

- ✓ 12hrs day - 10.0/0.0/140.0 - for CIP300/L810/L864/865 (150x12=1.80KWh)
- ✓ 12hrs night - 10.0/24.0/15.0 - for CIP300/L810/L864/865 (49.0x12= 588KWh)
- ✓ 24hrs = **2.388 KWh**



BILL OF MATERIALS			
ITEM NO.	QTY.	TWR PART NO.	DESCRIPTION
1	1	017586	L450-864/865 - LED BEACON 5' PIGTAIL
2	3	OL1VLED2	LED SIDELIGHT
3	1	JB5/7MK	3/4" JUNCTION BOX WITH ANGLE MOUNT
4	1	JB5/7	3/4" JUNCTION BOX WITH ANGLE MOUNT
5	5	CD21NA-BE	3/4" CORD CONNECTOR 0.51 - 0.17
6	1	T27CG	3/4" CONDULET W/COVER AND GASKET
7	1	EL3430	3/4" 30" ELBOW
8	3	A314	3/4" CONDUIT LOCKNUTS
9	1	PIPDOP	4 oz. PIPE DOPE
10	1	N34T3	3/4" x 3" NIPPLE
11	3	HC402	3/4" NO THREAD CONNECTOR
12	3	SLPIGTAIL25G	25' SIDELIGHT PIGTAIL WITH GROUND
13	1	SS5012	STAINLESS STEEL WRAPLOCK 50'
14	30'	CONDUIT34	3/4" CONDUIT (FOR OLS)
15	2	CABLEGRIP3	SINGLE EYE LACE MESH 0.63 - 0.74
16	1	CIP300TWR	CIP300 CONTROLLER
ITEM NUMBERS #17-#18 ARE NOT INCLUDED IN THE KIT BUT ARE AVAILABLE UPON REQUEST, AND REQUIRED FOR INSTALLATION.			
~ 17	-	STCABLTI	STROBE CABLE TIES (TWR. HEIGHT + 5)
~ 18	-	STROBCABLE-6	STROBE CABLE (TWR HT. + 50')
* = ITEMS NOT SHOWN			
~ = ITEMS QUANTITY CALCULATED ACCORDING TO STRUCTURE HEIGHT.			

Obstruction lighting

Obstruction lighting

[Data Sheet](#)

Medium Intensity Red Synchronized Obstruction Light

