



HP6-59-P3A/K

1.8 m | 6 ft High Performance Parabolic Shielded Antenna, single-polarized, 5.925–6.425 GHz, CPR137G, gray antenna, enhanced white radome with flash, standard pack—one-piece reflector

General Specifications

Packing	Standard pack
Radome Color	White
Radome Material	Enhanced
Reflector Construction	One-piece reflector
Antenna Input	CPR137G
Antenna Color	Gray
Antenna Type	HP - High Performance Parabolic Shielded Antenna, single-polarized
Diameter, nominal	1.8 m 6 ft
Flash Included	Yes
Polarization	Single

Electrical Specifications

Beamwidth, Horizontal	1.8 °
Beamwidth, Vertical	1.8 °
Cross Polarization Discrimination (XPD)	30 dB
Electrical Compliance	ETSI Class 2 US FCC Part 101A
Front-to-Back Ratio	62 dB
Gain, Low Band	38.4 dBi
Gain, Mid Band	38.9 dBi
Gain, Top Band	39.4 dBi
Operating Frequency Band	5.925 – 6.425 GHz
Radiation Pattern Envelope Reference (RPE)	3302J
Return Loss	30.7 dB
VSWR	1.06

Mechanical Specifications

Fine Azimuth Adjustment	±15°
Fine Elevation Adjustment	±20°
Mounting Pipe Diameter	115 mm 4.5 in
Net Weight	115 kg 254 lb
Side Struts, Included	1 inboard
Side Struts, Optional	1 inboard
Wind Velocity Operational	110 km/h 68 mph
Wind Velocity Survival Rating	200 km/h 124 mph

HP6-59-P3A/K

POWERED BY



Wind Forces At Wind Velocity Survival Rating

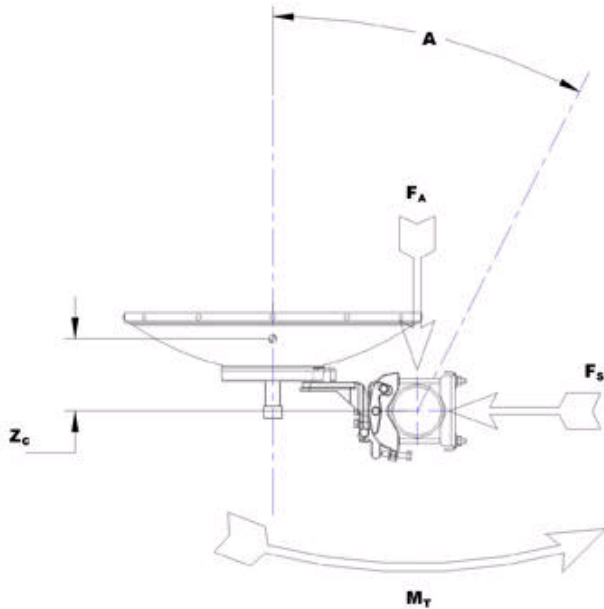
Angle α for MT Max	-130 °
Axial Force (FA)	7744 N 1741 lbf
Side Force (FS)	3836 N 862 lbf
Twisting Moment (MT)	2955 N•m
Weight with 1/2 in (12 mm) Radial Ice	235 kg 518 lb
Zcg with 1/2 in (12 mm) Radial Ice	660 mm 26 in
Zcg without Ice	466 mm 18 in

HP6-59-P3A/K

POWERED BY



Wind Forces At Wind Velocity Survival Rating Image



Packed Dimensions

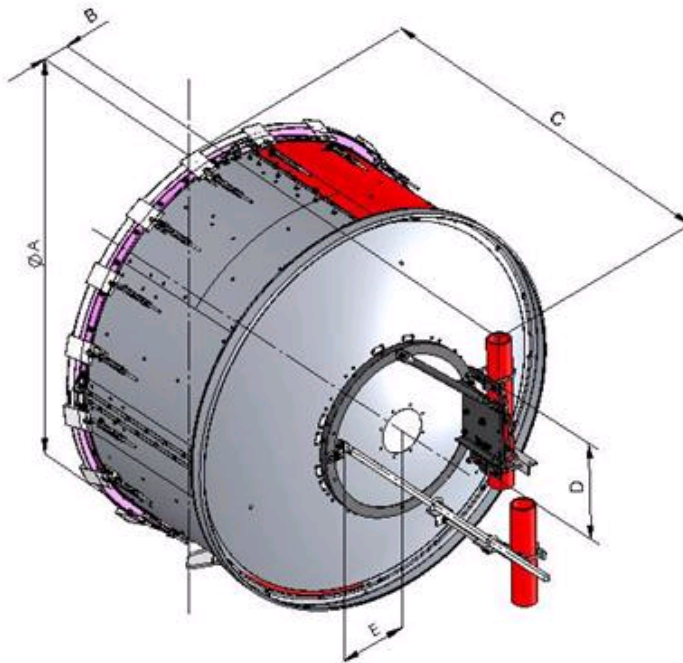
Gross Weight, Packed Antenna	165.0 kg 363.8 lb
Height	2120.0 mm 83.5 in
Length	2070.0 mm 81.5 in
Volume	3.9 m ³
Width	880.0 mm 34.6 in

HP6-59-P3A/K

POWERED BY



Antenna Dimensions And Mounting Information



Dimensions in Inches (mm)					
Antenna Size, ft (m)	A	B	C	D	E
6 (1.8)	77.5 (1970)	17.1 (435)	53.3 (1355)	19.3 (490)	11.7 (296)

Regulatory Compliance/Certifications

Agency

ISO 9001:2008

Classification

Designed, manufactured and/or distributed under this quality management system

* Footnotes

Axial Force (FA)

Maximum forces exerted on a supporting structure as a result of wind from the most critical direction for this parameter. The individual maximums specified may not occur simultaneously. All forces are referenced to the mounting pipe.

Cross Polarization Discrimination (XPD)

The difference between the peak of the co-polarized main beam and the maximum cross-polarized signal over an angle twice the 3 dB beamwidth of the co-polarized main beam.

Front-to-Back Ratio

Denotes highest radiation relative to the main beam, at $180^\circ \pm 40^\circ$, across the band. Production antennas do not exceed rated values by more than 2 dB unless stated otherwise.

Gain, Mid Band

For a given frequency band, gain is primarily a function of antenna size. The gain of Andrew antennas is determined by either gain by comparison or by computer integration of the measured antenna patterns.

HP6-59-P3A/K

POWERED BY



Operating Frequency Band	Bands correspond with CCIR recommendations or common allocations used throughout the world. Other ranges can be accommodated on special order.
Packing	Andrew standard packing is suitable for export. Antennas are shipped as standard in totally recyclable cardboard or wire-bound crates (dependent on product). For your convenience, Andrew offers heavy duty export packing options.
Radiation Pattern Envelope Reference (RPE)	Radiation patterns determine an antenna's ability to discriminate against unwanted signals under conditions of radio congestion. Radiation patterns are dependent on antenna series, size, and frequency.
Return Loss	The figure that indicates the proportion of radio waves incident upon the antenna that are rejected as a ratio of those that are accepted.
Side Force (FS)	Maximum side force exerted on the mounting pipe as a result of wind from the most critical direction for this parameter. The individual maximums specified may not occur simultaneously. All forces are referenced to the mounting pipe.
Twisting Moment (MT)	Maximum forces exerted on a supporting structure as a result of wind from the most critical direction for this parameter. The individual maximums specified may not occur simultaneously. All forces are referenced to the mounting pipe.
VSWR	Maximum; is the guaranteed Peak Voltage-Standing-Wave-Ratio within the operating band.
Wind Velocity Operational	The wind speed where the antenna deflection is equal to or less than 0.1 degrees. In the case of ValuLine antennas, it is defined as a maximum deflection of 0.3 x the 3 dB beam width of the antenna.
Wind Velocity Survival Rating	The maximum wind speed the antenna, including mounts and radomes, where applicable, will withstand without permanent deformation. Realignment may be required. This wind speed is applicable to antenna with the specified amount of radial ice.